

**HOFMANN
ENGINEERING**

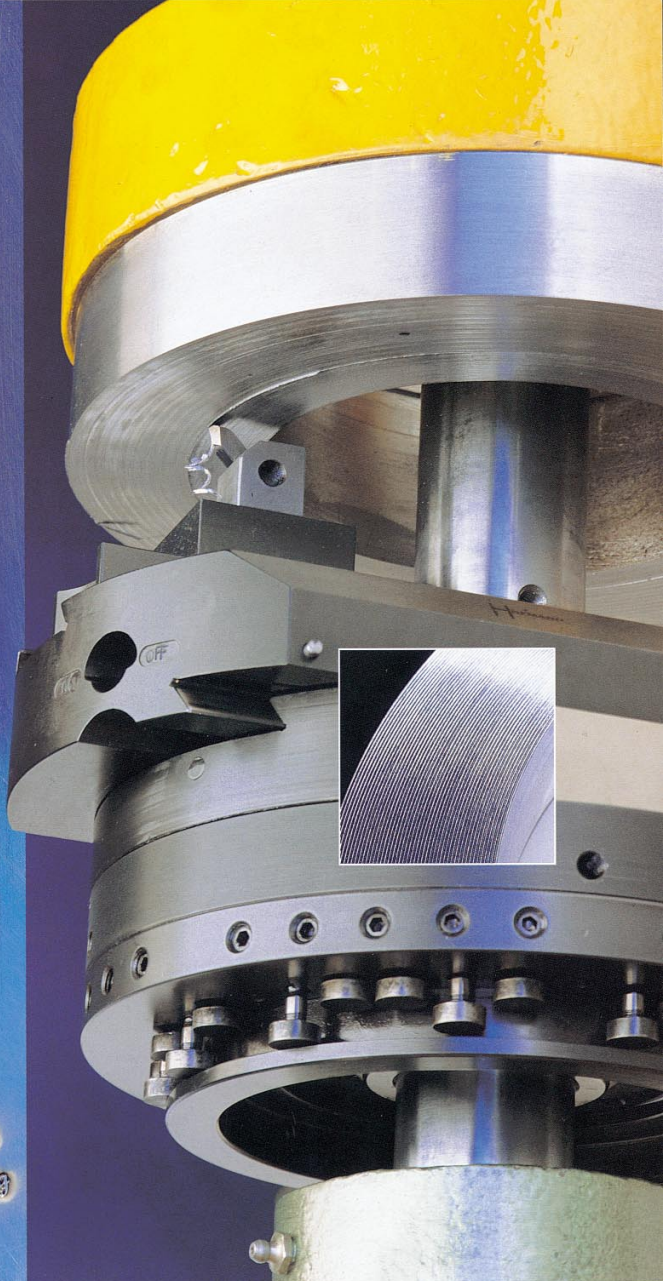
**FACING
HEAD
230mm DIA**

Since 1969 Hofmann Engineering have provided specialist engineering services to Australia's industry leaders.

Quality Assurance accreditation by Bureau Veritas complements our total quality culture.

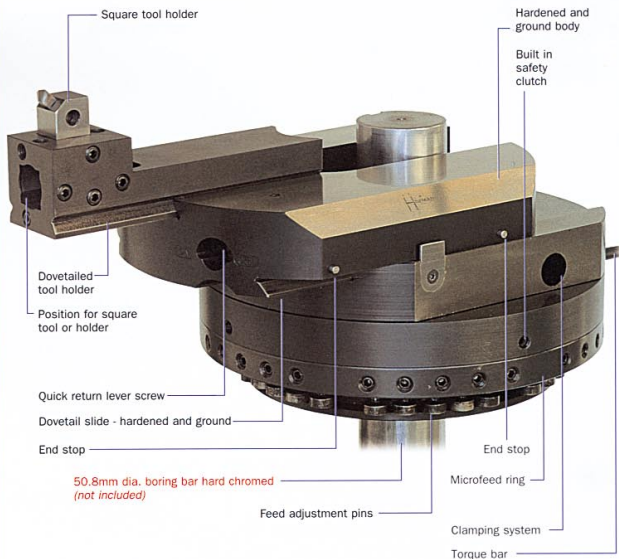


Our commitment to continuous quality improvement touches every aspect of our products, services and customer support.



FACING HEAD 230mm DIA

- ◆ An essential tool for the *Hofmann Flange Facer*.
- ◆ Features variable feed.
- ◆ Suitable for *Hofmann Portable Line Boring Machine*.
- ◆ Designed and manufactured for heavy duty work.
- ◆ Suitable for conventional machines.



- ◆ Variable feed 0.1mm to 0.7mm per revolution
- ◆ Suitable for gramophone surface
- ◆ Assembled 230mm dia.
- ◆ Stroke 90mm
- ◆ Smallest facing dia. 51mm (0mm if clamped on end of bar)
- ◆ Maximum facing dia. 600mm (1000mm with optional large tool holder)
- ◆ Head thickness without tool 130mm
- ◆ Microfeed adjustment for boring
- ◆ Quick return for resetting feed
- ◆ May be clamped anywhere on 50.8mm dia. boring bar
- ◆ Smallest boring diameter 235mm
- ◆ Largest boring diameter 750mm (1000mm)
- ◆ Suitable for boring and milling machines - taper arbors available
- ◆ Part of Hofmann Flange Facer

GEAR MANUFACTURING
PRECISION & HEAVY
MACHINING
HEAT TREATMENT
ENGINEERING & MINING
EQUIPMENT
REPAIRS & MAINTENANCE
SPECIALIST TRANSMISSION
REPAIRS
RESEARCH & DEVELOPMENT
SPECIALIST TOOLS &
EQUIPMENT
PORTABLE MACHINE TOOLS
REPLACEMENT PARTS
ON-SITE MACHINING
DEFENCE PROJECTS
METROLOGY SERVICE
DESIGN & CONSULTING
SERVICES



Allen keys

Single and 5 pin lever for feed adjustment

Storage and carrying box -
41kg, total weight incl. box
Size 345mmW x 555mmL x 195mmH

2 tool holders with dovetails

2 square tool holders

**J. & E. HOFMANN
ENGINEERING PTY. LTD.**
A.C.N. 008 802 211

3 Alice Street Bassendean
Perth, Western Australia 6054
Telephone (+61 8) 9279 5522
Facsimile (+61 8) 9279 9386
Internet www.hofmann.net.au
Email mail@hofmann.net.au

Due to constant design improvements all specifications and information are subject to change without notice.

